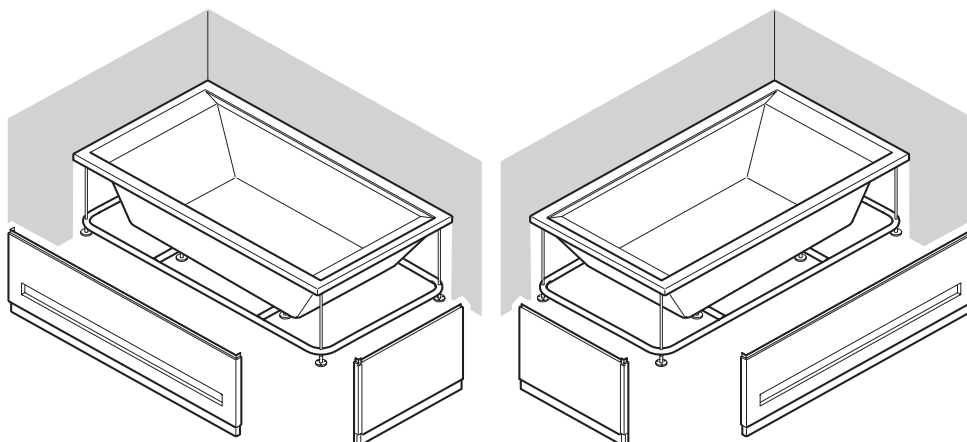


The bath must be installed by a qualified electrician and plumber.

Before connecting the bath, the installer must see that the electrical system is protected by a circuit breaker (0.03) and that the earthing system complies with the laws in force in the country of installation.

The whirlpool bath must be connected to the electrical system permanently (with an H05 cable - 3x2.5 mm<sup>2</sup> three-pole with a 2.5 mm<sup>2</sup> cross section) by means of a double-pole switch (minimum 3 mm opening between contacts) and suitably rated (KW) for the appliance to be connected, located away from areas 0,1,2,3 and from areas where jets of water are possible.



tub LEFT

tub RIGHT

Wooden panels stick out 1 cm from tub edge.  
Dressable panels stick out 3 cm from tub edge plus the tiles thickness.

SISTEMI	Caratteristiche elettriche				Bocchette		Cont. acqua		Dimensioni			Dim. imballo			Peso	
	Volt	A	Kw	Hz	Whirl	Air	utilizzo	max	lungh.	largh.	altezza	lungh.	largh.	altezza	netto	lordo
Whirl. manuale	230	5,6	1,2	50	8	—	310	390	200	120	59	209	129	78	65	83
Whirl. digitale	230	5,6	1,2	50	8	—	310	390	200	120	59	209	129	78	65	83
Airpool	230	3	0,7	50	—	18	310	390	200	120	59	209	129	78	57	75
Whirl. airpool	230	8,6	1,9	50	8	18	310	390	200	120	59	209	129	78	72	90
Profes. whirl. air.	230	8,6/12,3*	1,9/2,7*	50	8	24	310	390	200	120	59	209	129	78	77	96
Microsilk	230	6,2	1,25	50	—	—	310	390	200	120	59	209	129	78	65	83
Vasca con telaio	—	—	—	—	—	—	310	390	200	120	59	209	129	78	50	68

\* with heater active

The data are to be considered without panels and accessories

The bath must also be connected to the building's equipotential earthing system by means of a terminal on the frame.

If the bath is to be recessed in walls, the guarantee will only be valid if the walls are fitted with inspection and aeration grids of a suitable size.

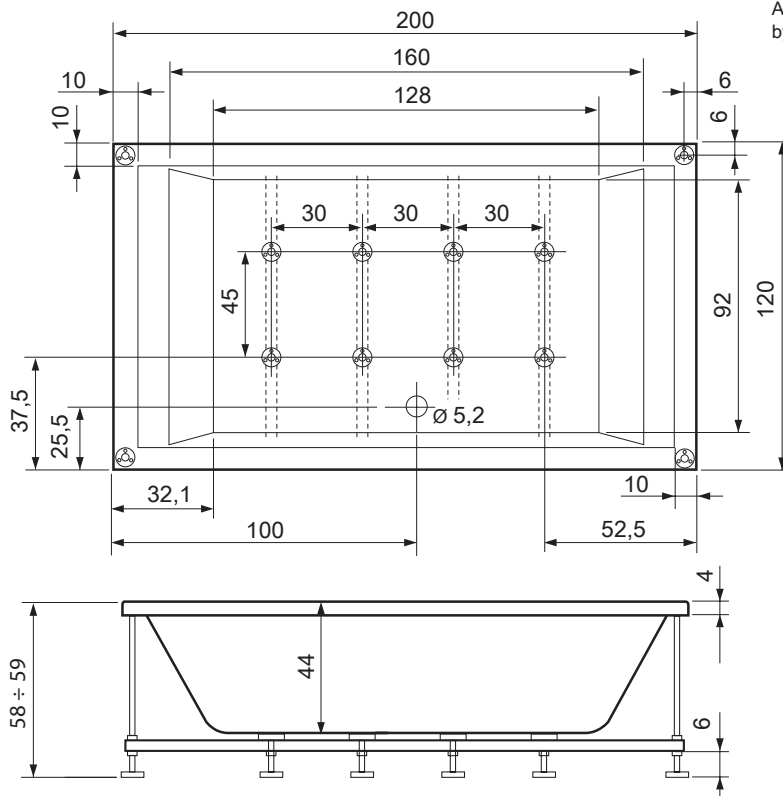
It is also important that the bath can be taken out at any time without having to do anything to the walls.

**WARNING:** if all or even part of the above described conditions are not complied with the safety of the whirlpool bath cannot be guaranteed and, as such, not only is the guarantee invalidated but also the manufacturer can in no way be held liable for any direct or indirect damages caused by the bath.

In those cases where such conditions are not complied with, the guarantee will only cover the substitution of parts deemed defective and not the labour needed if the bath has to be removed.

Provide shut-off cocks out of the dimensions of the product for hot and cold water closing.

The overall dimensions are given in centimetres.  
Actual dimensions can vary by ± 1 cm.



If the bath is recessed the masonry cannot reenter more than 1 cm with respect to the external edge of the bath.

### LEGEND

- A - 1/2" cold water fitting.
- B - 1/2" hot water fitting.



Operating pressure:  
 - MIN 150 kPa (1,5 bar)  
 - MAX 300 kPa (3,0 bar)



Hot water temperature:  
 - MAX 60°C (140°F)

- A1 - Fitting for wall tap.
- C - Output for the power supply cable type H05 3x2.5mm<sup>2</sup> (length min. 2 [m])
- D - Output for the equipotential cable
- E - Scarico pavimento Ø 40.

### NOTE:

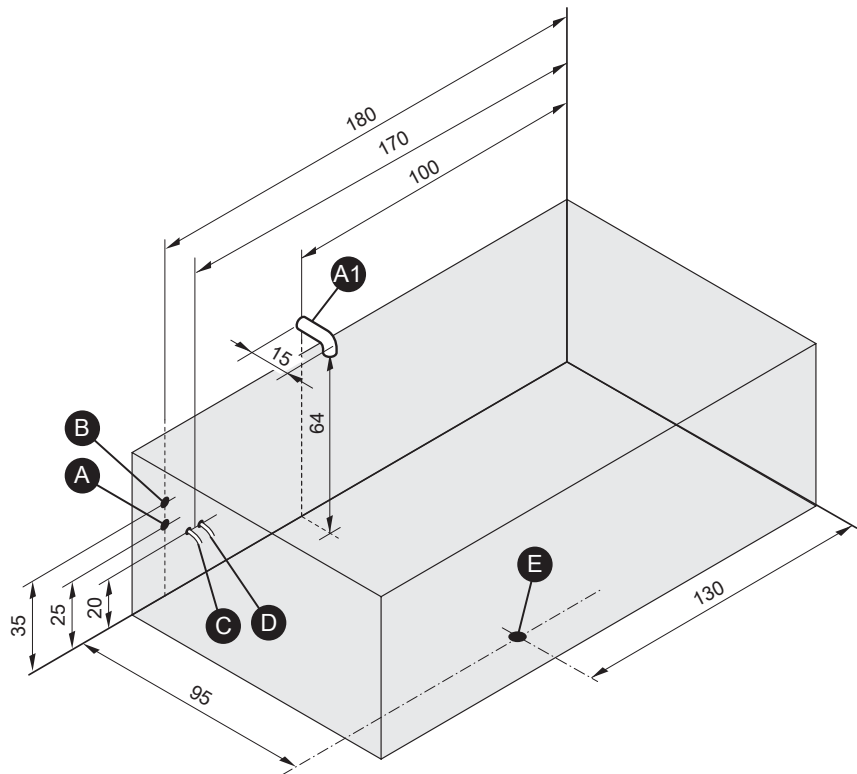
For baths with frame do not prepare the power cable.

Prepare the equipotential cable in all cases.

For the tap as per our catalogue, use fittings A and B only.

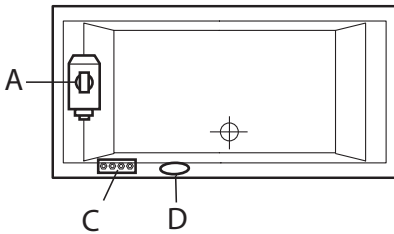
If wall tap are going to be used instead (A1), take into consideration the measurements given in the drawing as the centre of the tap. The tap for filling the bath with water must be at least 5 cm higher than the edge of the bath.

Right bath version  
 Connections are reversed for the left version

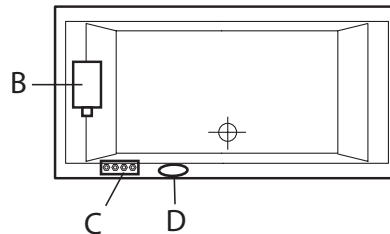


If the water pressure is higher than indicated, install pressure reducers.

### POSITIONING THE TURNING ON CONTROLS AND TAPS



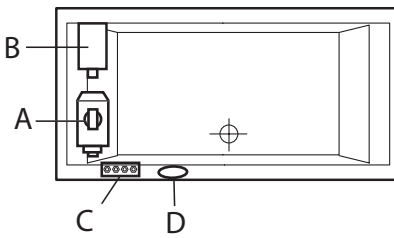
Whirlpool manuale o Whirlpool digitale o Microsilik



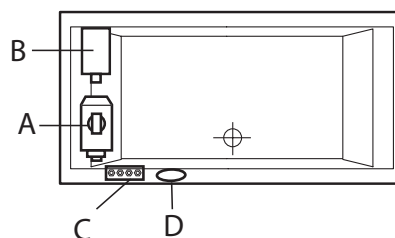
Airpool

- A = Pump
- B = Blower
- C = Electrical Control
- D = Digital Control

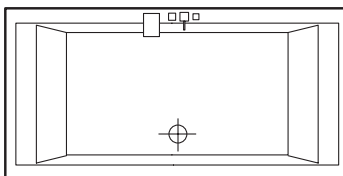
Position of points A-B-C are different in the tubs with accessories (radio - chromotherapy - heater).



Whirlpool airpool



Professional whirlpool airpool



Tap

- The position of the disinfectant tap is seen to in the factory as the bath is being made.